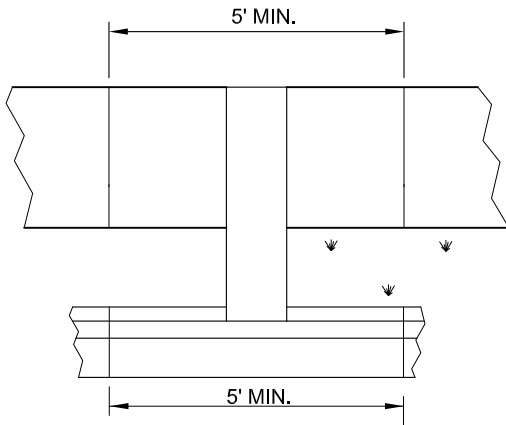
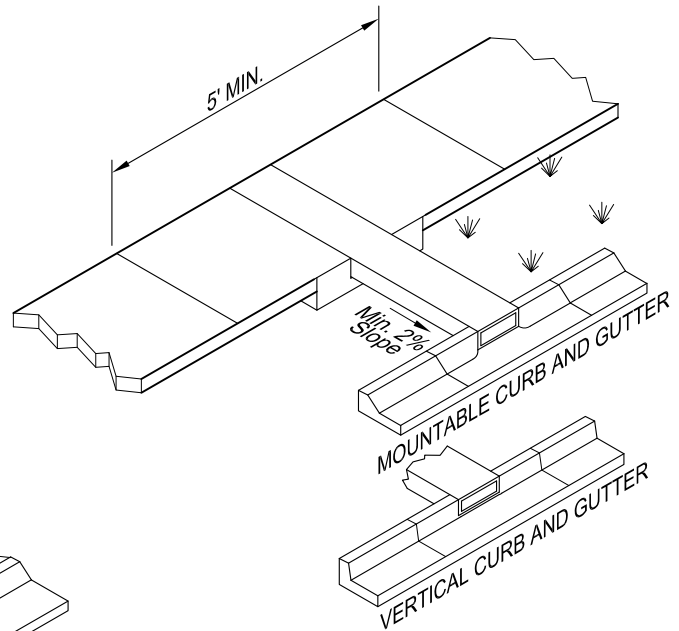


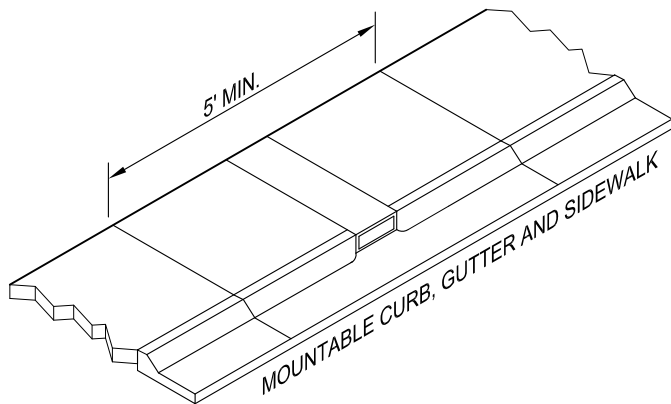
TYPICAL CHASE SECTION



PLAN VIEW (Detached Curb & Gutter)



ISOMETRIC VIEW (Detached Curb & Gutter)



ISOMETRIC VIEW (Attached Curb & Gutter)

△
NOTE:
CHASES ARE TO BE LOCATED ONLY
ON PROPERTY LINES OR AT LOW
POINT BETWEEN PROPERTY LINES.

C:\DWG\FW-Engr\ENGR SPECS\ENGR Specs 2015\ST-Streets\ST-34.dwg 11/3/2015

△	KBC	6/30/15	ADD NOTE
NO	DWN	DATE	REVISION



SIDEWALK CHASE

APPROVED: *[Signature]*
 DATE: 6-2015 SCALE: NTS DWN: D.D.V.
 PUBLIC WORKS DEPARTMENT, ENGINEERING DIVISION