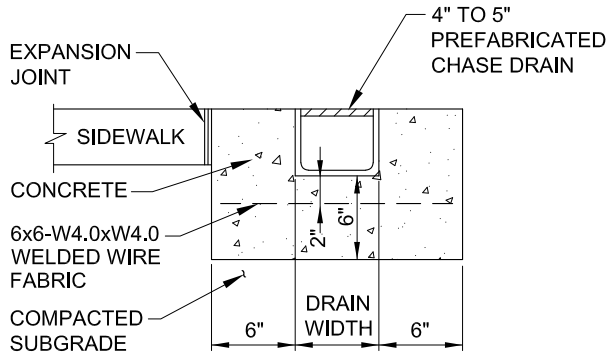


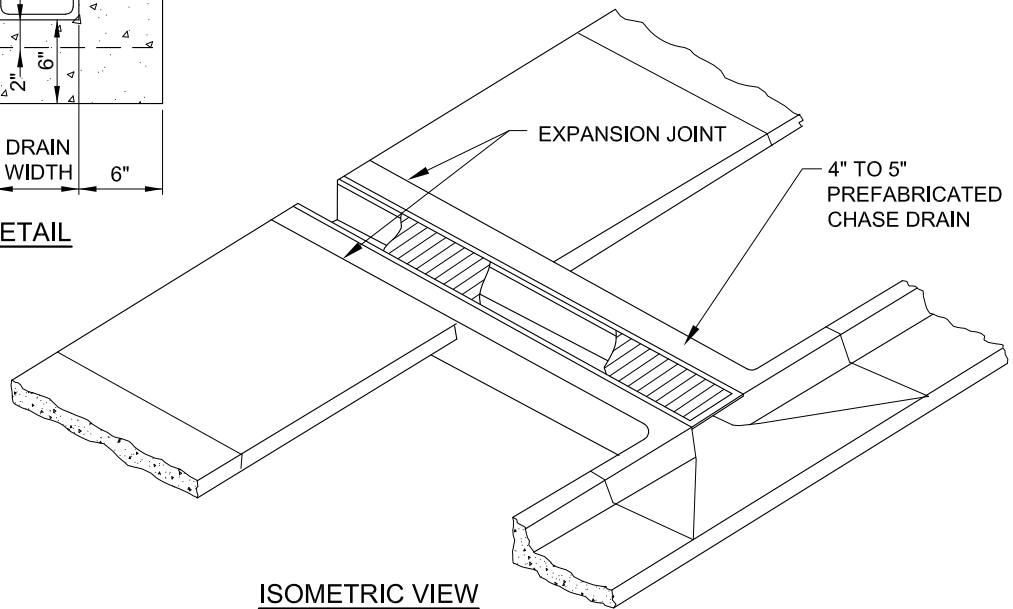
PLAN VIEW

NOTES:

1. CHASE SHALL ONLY BE USED WITH APPROVAL OF CITY ENGINEER.
2. 4" TO 5" PREFABRICATED CHASE DRAIN WITH GRATED COVER SHALL BE:
 - ADA COMPLIANT
 - RATED FOR A MINIMUM 150 PSI.



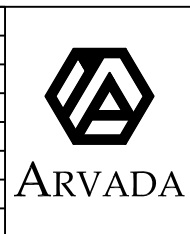
CONCRETE DETAIL



ISOMETRIC VIEW

G:\DWG\PW-Engr\ENGR_SPECS\New ENGR Specs 2019 And Later\Chase Drain 6-2020

NO	DWN	DATE	REVISION



4" to 5" SIDEWALK CHASE		
APPROVED:		
DATE: 6-2020	SCALE: NTS	DWN: KBC
PUBLIC WORKS DEPARTMENT, ENGINEERING DIVISION		