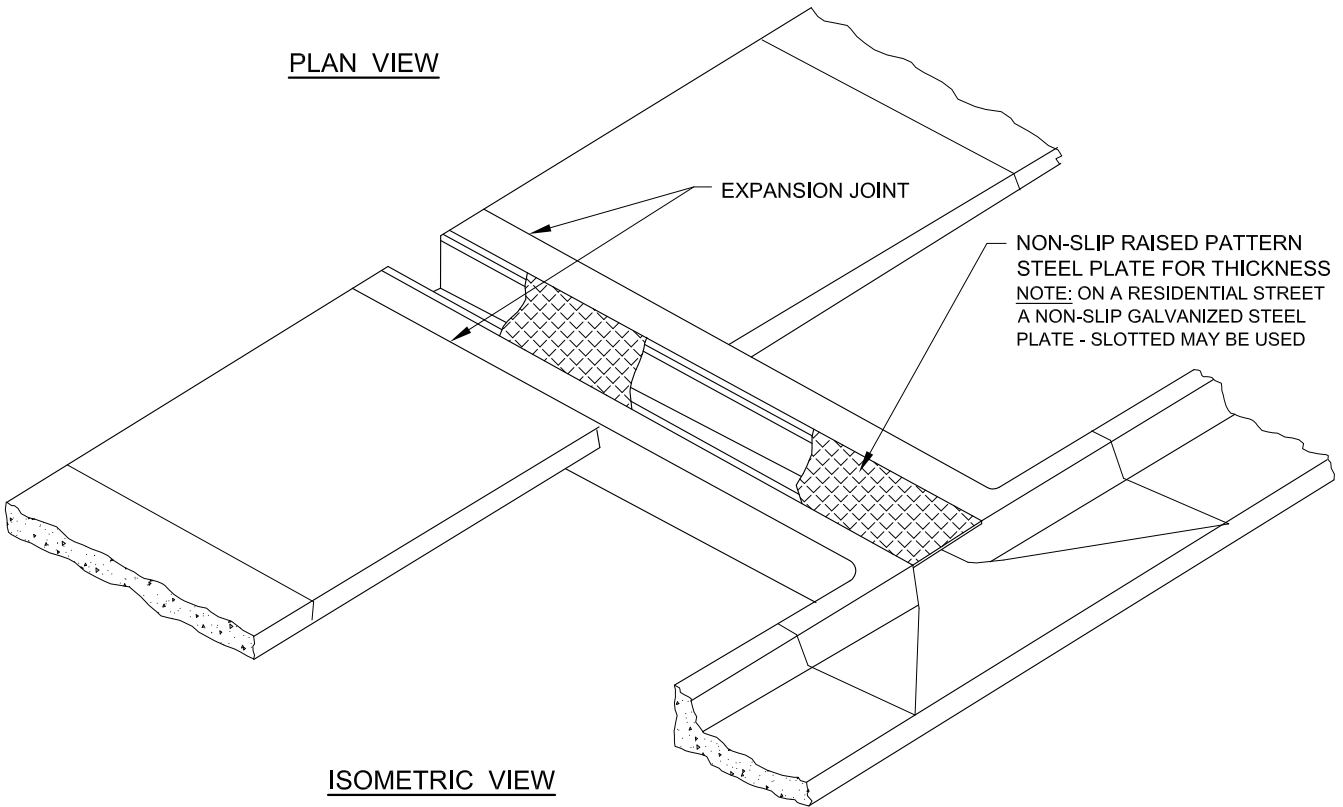


PLAN VIEW

NOTES:

1. CHASE IS NOT PERMITTED IN 4" CURB SECTION
2. CHASE SHALL ONLY BE USED WITH APPROVAL OF CITY ENGINEER.

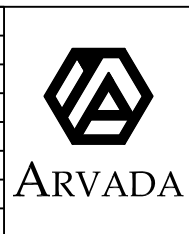


ISOMETRIC VIEW

SHEET 1 OF 3

G:\DWG\PW-Engr\ENGR_SPECS\New ENGR Specs 2019 And Later\Chase Drain 6-2020

NO	DWN	DATE	REVISION



12" SIDEWALK CHASE

APPROVED: _____

DATE: 6-2020 SCALE: NTS DWN: KBC

PUBLIC WORKS DEPARTMENT, ENGINEERING DIVISION

1/4" NON-SLIP RAISED PATTERN
STEEL TREAD PLATE

2" X 2" X 1/4" ANGLE IRON TO
BE DRILLED AND THREADED
TO ALLOW SCREW

EXPANSION JOINT

SIDEWALK

6x6-W4.0xW4.0
WELDED WIRE FABRIC

COMPACTED SUBGRADE

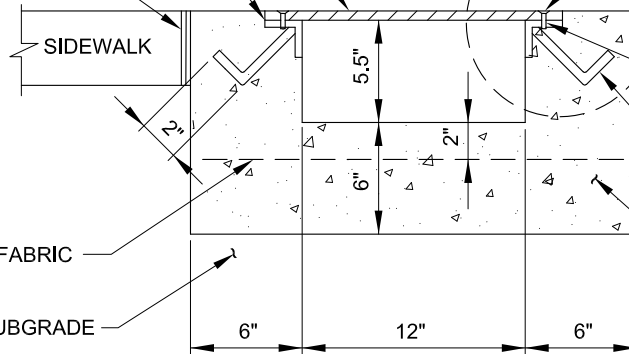
SEE DETAIL A
SHEET 3 OF 3

1/2" X 1" FLATHEAD MACH. SCREW
BRASS OR ELECTRO-GALVANIZED
FINISH, 2' O.C.

CONC. TO BE DRILLED
TO ALLOW SCREW

#3 BAR 6" LONG WELDED TO ANGLE
IRON AT 18" O.C. EACH SIDE

CONC.



SIDEWALK CHASE DETAIL

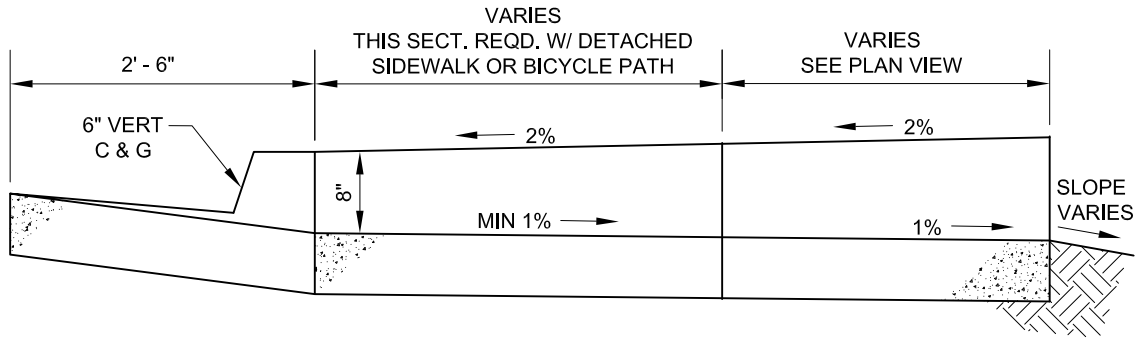
SHEET 2 OF 3

G:\DWG\PW-Engr\ENGR_SPECS\New ENGR Specs 2019 And Later\Chase Drain 6-2020

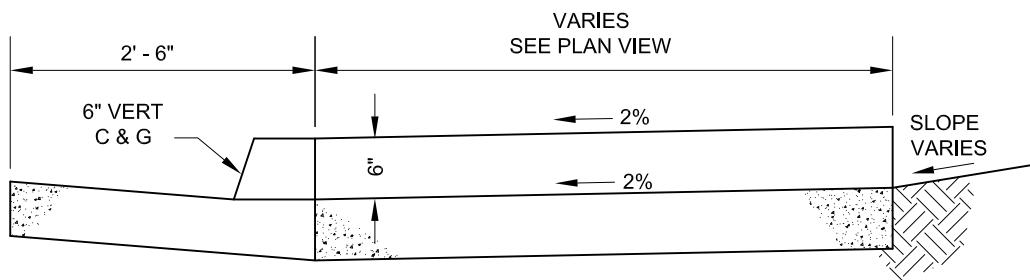
NO	DWN	DATE	REVISION



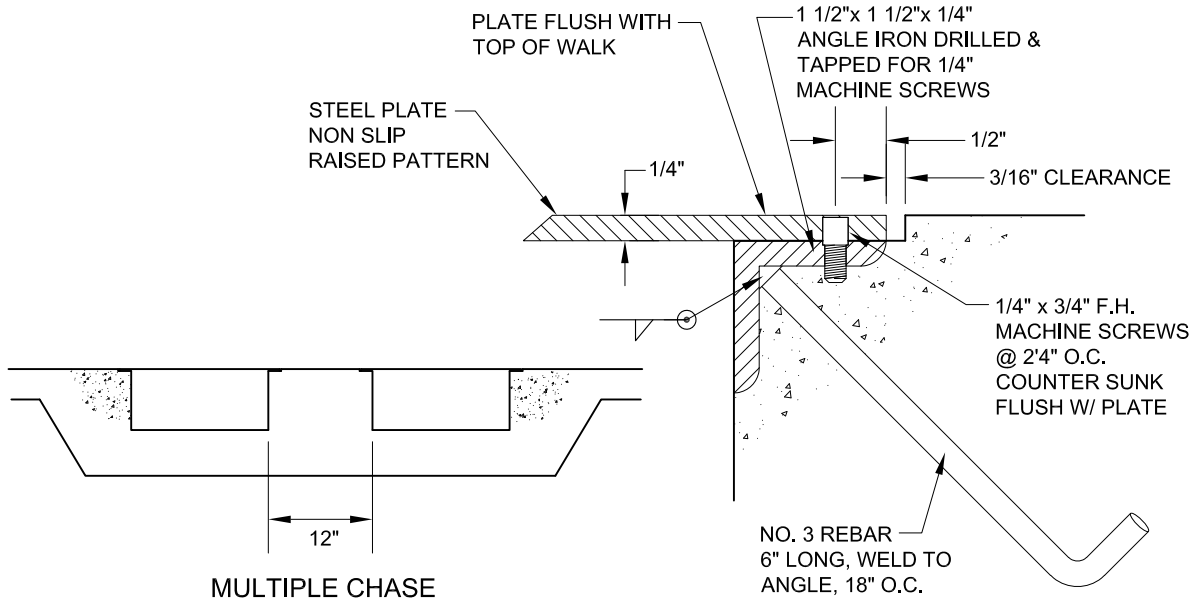
12" SIDEWALK CHASE		
APPROVED:		
DATE: 6-2020	SCALE: NTS	DWN: KBC
PUBLIC WORKS DEPARTMENT, ENGINEERING DIVISION		



FLOW FROM GUTTER



FLOW TO GUTTER



MULTIPLE CHASE
WHEN OPENINGS LARGER THAN
12" ARE REQUIRED

DETAIL A

SHEET 3 OF 3

G:\DWG\PW-Engr\ENGR_SPECS\New ENGR Specs 2019 And Later\Chase Drain 6-2020

NO	DWN	DATE	REVISION



12" SIDEWALK CHASE

APPROVED: _____

DATE: 6-2020 SCALE: NTS DWN: KBC

PUBLIC WORKS DEPARTMENT, ENGINEERING DIVISION