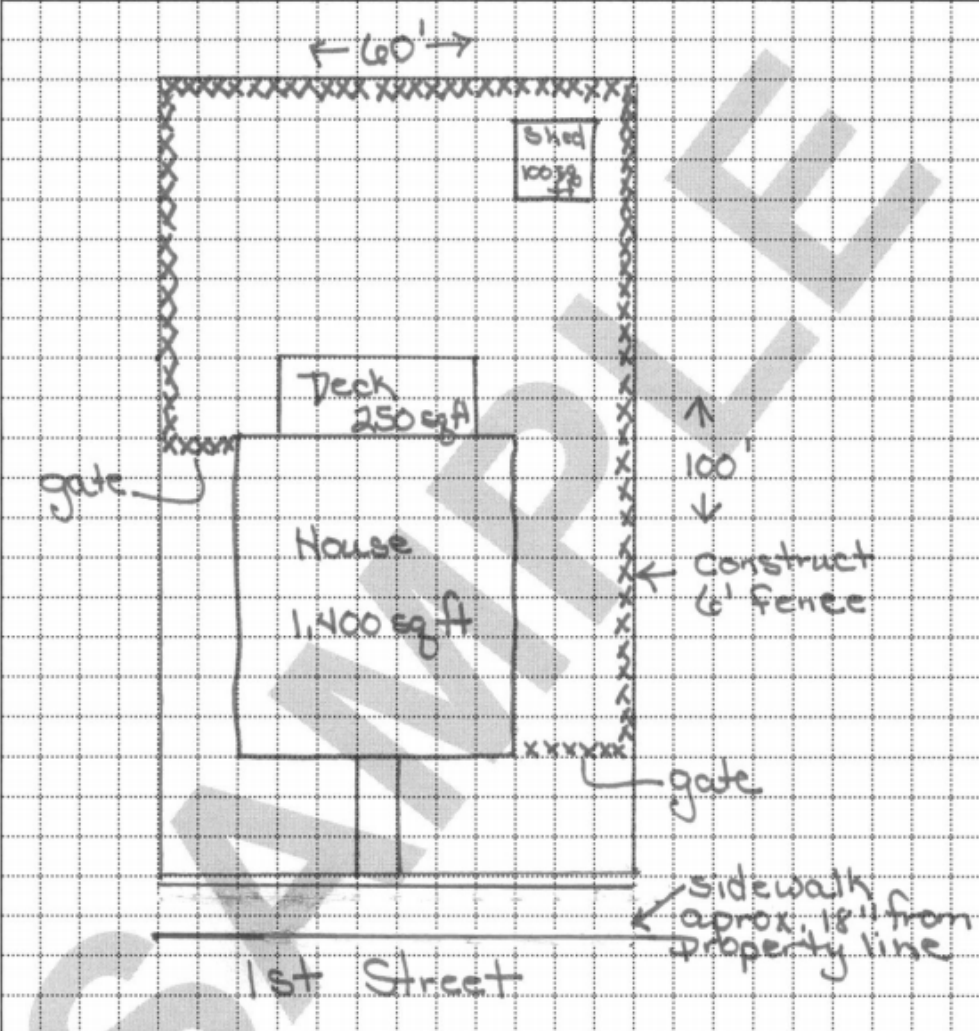
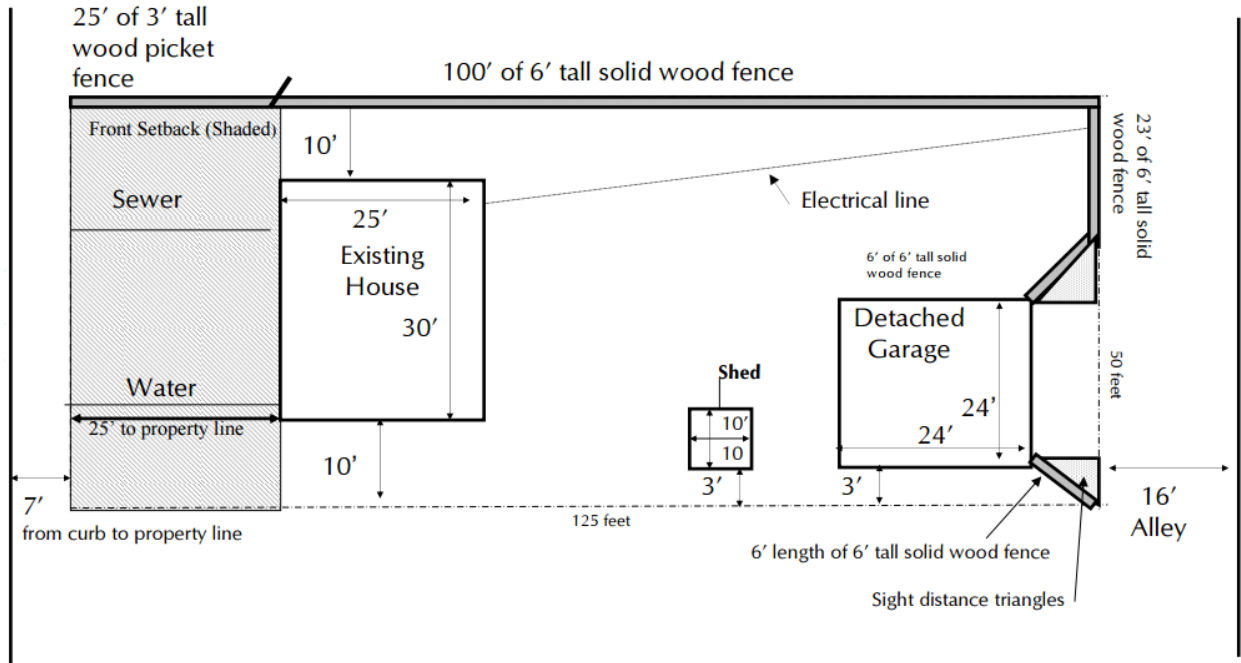


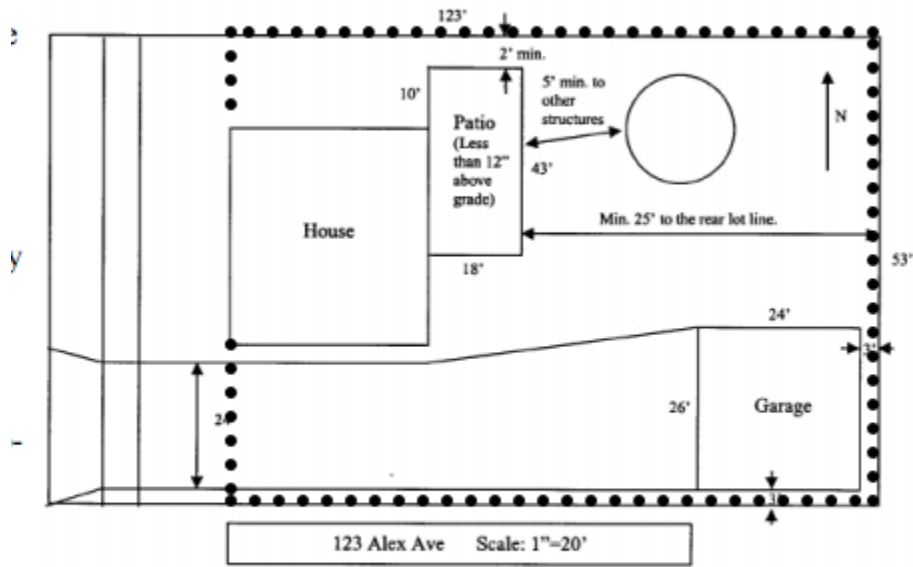
SITE PLAN SCALE: 1/4 inch (one square) equals 5 feet



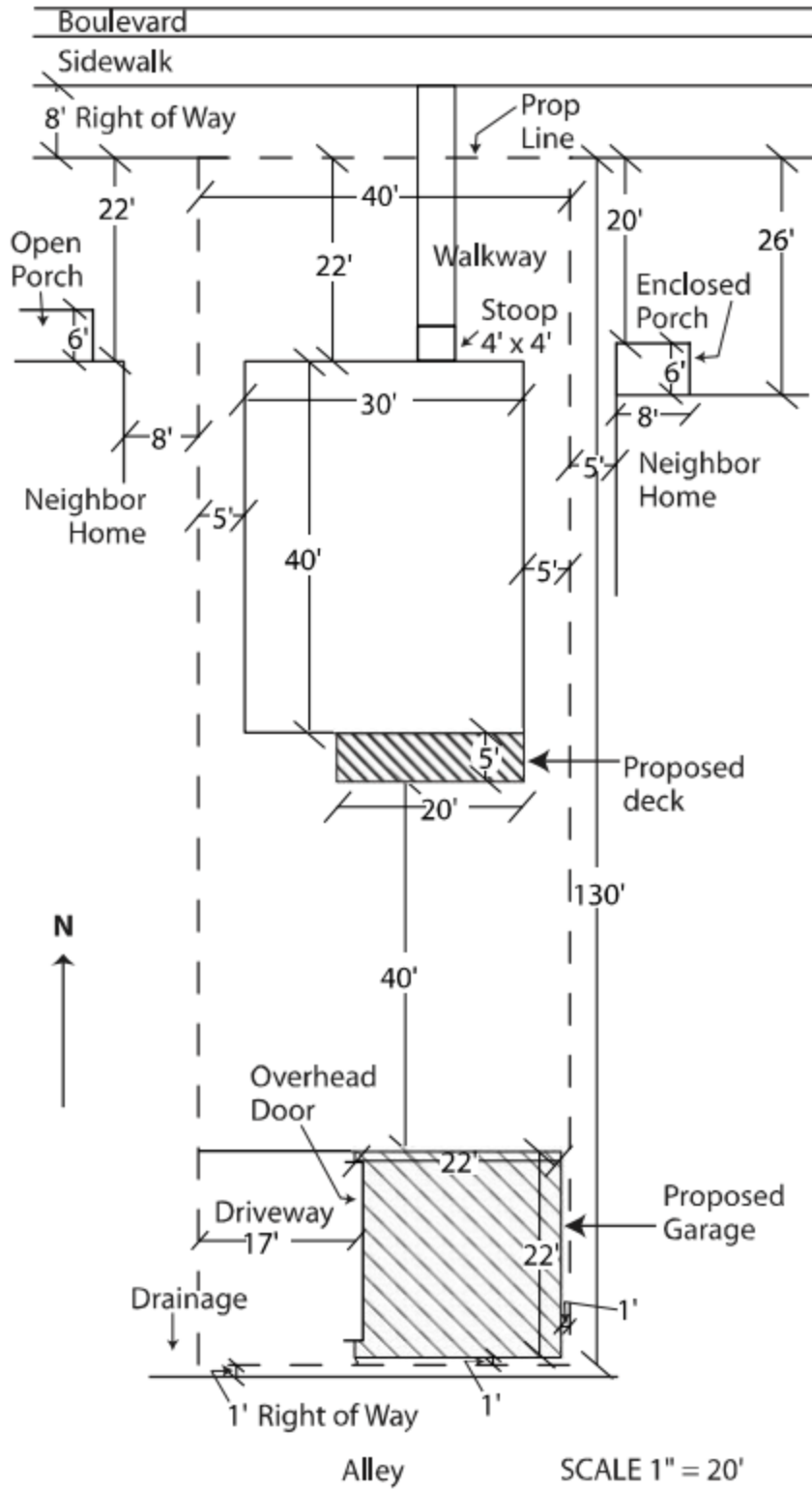
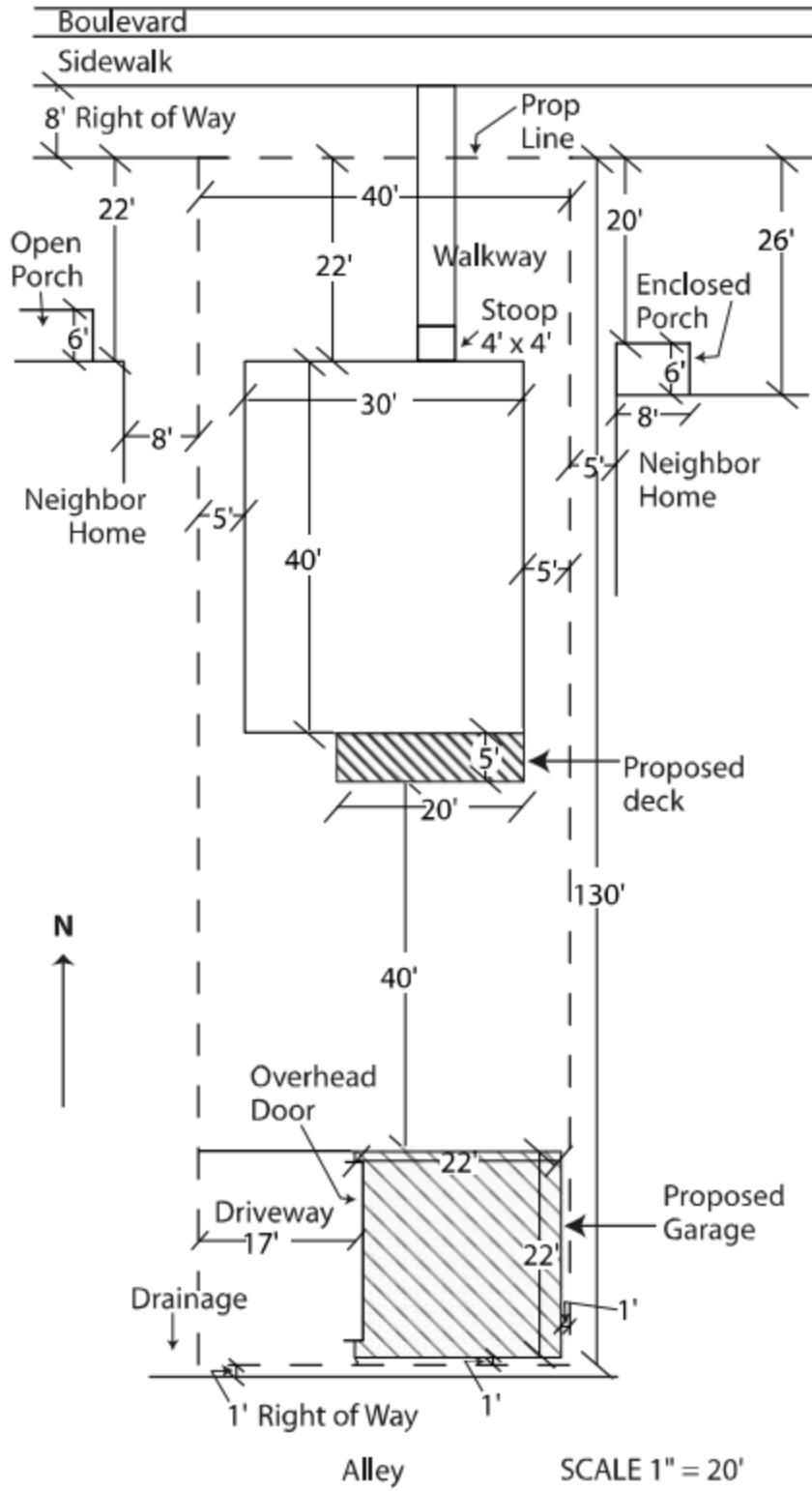
DRAW ARROW THAT INDICATES DIRECTION OF NORTH: ↑



Sample Site Plan



••••• 287' of 6' high solid wood privacy fence along the lot lines to enclose the rear yard. The fence will be installed approx. 6" in from the lot lines.



Use X X X to indicate the proposed fence

Use ○ ○ ○ to indicate an existing fence

